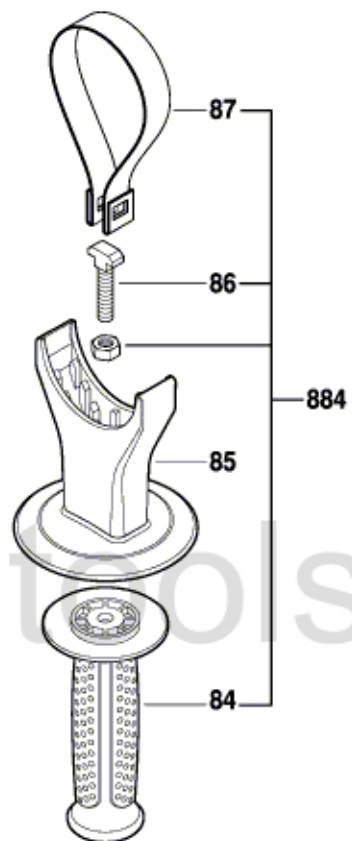


3 611 C37 080

Issue }
Stand } 13-03-26

Fig./Abb. 2



661



toolspareparts.com.au